

## FEATURES:-

- ✓ Heavy-duty design 24-hours continuous application
- ✓ Auto closing function is selectable with instant or delay closing
- ✓ Low speed set by open or close limit switch for cushioning effect
- ✓ Multiple push button for Open, Close and Open/ Stop/ Close function
- ✓ Simple interface with proximity card and loop detector application
- ✓ Articulated or folding arm available for limited height application
- ✓ Most of the accessories and spare parts are common items
- ✓ Barrier arm can be manually lifted via a clutch-release key
- ✓ Weather-resistant coating against hostile environments
- ✓ Arm available for 3-4 meters length
- ✓ Able to swing out

## ORDER INFORMATION:-



Model : MX-10 MATRIX BARRIER GATE SYSTEM



Model : MX-103/MX-105 / MX-108 MATRIX BARRIER GATE SYSTEM



Model : MX-109 MATRIX BARRIER GATE SYSTEM



Model : MX-10(xM ST BAR) BARRIER ARM - xM STRAIGHT BAR

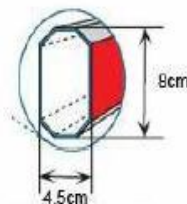


Model : MX-10(xM L SHAPE BAR) BARRIER ARM - xM L SHAPE BAR

### MX-10



### MX-105/108



### MX-109



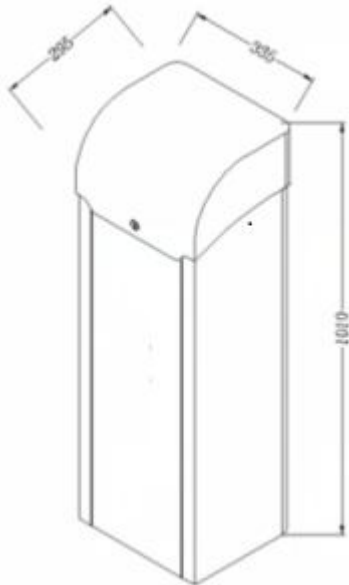
**MX** series is a heavy-duty electro-mechanical barrier meant for control of vehicle traffic flow. It is the most rapid and efficient method of managing access in residential, commercial and industrial car parks. Many features have been incorporated to provide a safe, reliable and easily operated system for outdoor as well as indoor use.

The casing is made of mild steel spray-coated with durable stove paint. It is built with a key door and a clutch release mechanism for use in case of a power black-out. The standard boom arm is 3m of rectangular aluminium with red reflecting stripes. Articulated arm used in limited height space and round arm are also available.

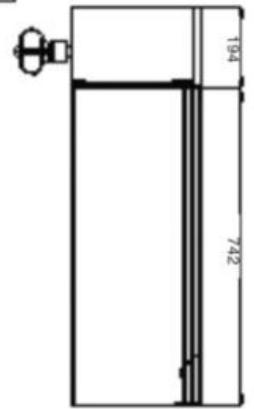
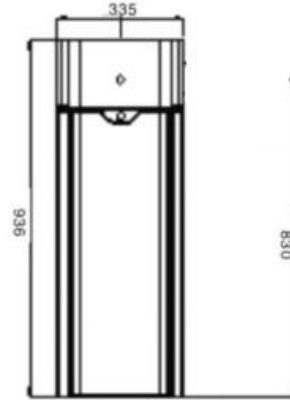
## SPECIFICATIONS:-

MODEL	MX-10   MX-105   MX-108	MX-109
LIFTING UP	1.5/ 3 SECONDS	3 SECONDS
ARM LENGTH	3/ 4 METER	
ARM DIMENSION	45mmx 80mm	
SUPPLY VOLTAGE	AC230V	
FREQUENCY	50Hz	
MOTOR RATED POWER	120W	
MOTOR RATED SPEED	680rpm	
OPERATING LIFESPAN	>2.5 MILLION TIME	
OPERATING TEMPERATURE	-40°C to +75°C	
HOUSING DIMENSION	MX-10 : 329x 283x 933mm MX-105/108 : 335x 307x 936mm	295 x 335 x 1010mm
WEIGHT	60kg	52kg
COLOUR	TOP BLUE, BODY ORANGE	TOP WHITE, BODY DARK GREY
PROTECTION DEGREE	IP67	

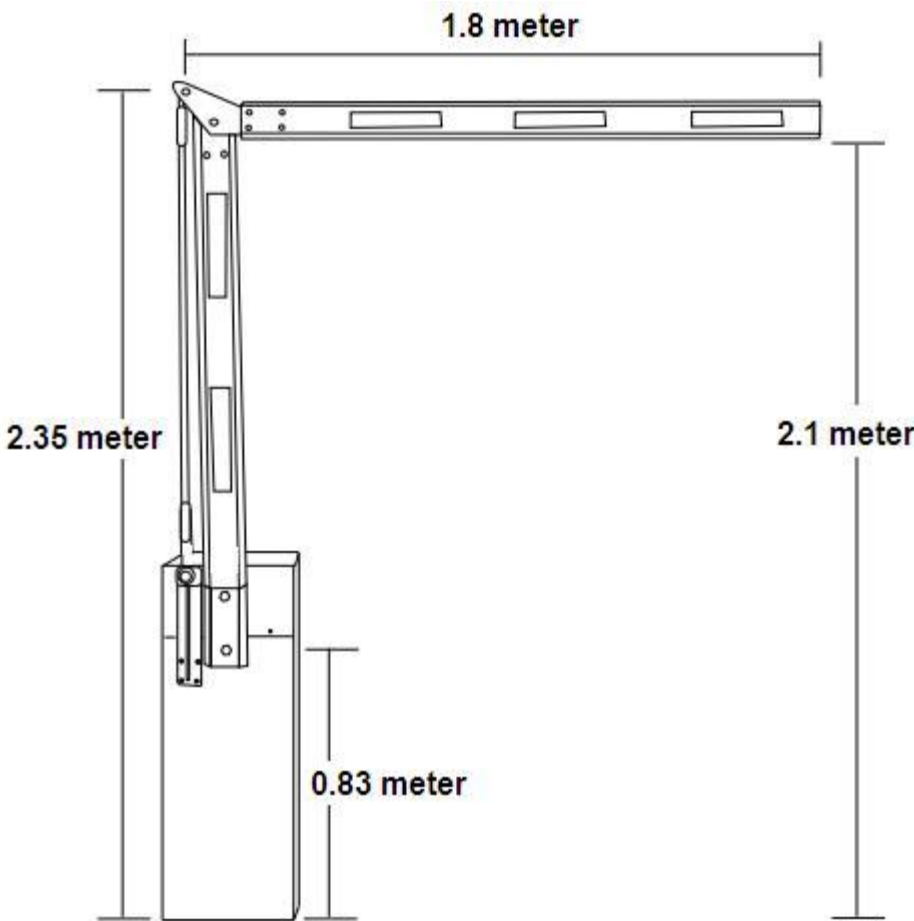
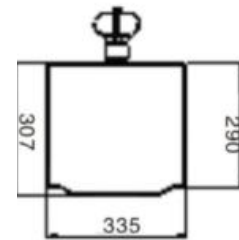
BARRIER MEASUREMENT



**MX-109**



**MX-105/108**



**MX-105/108 L SHAPE BAR**